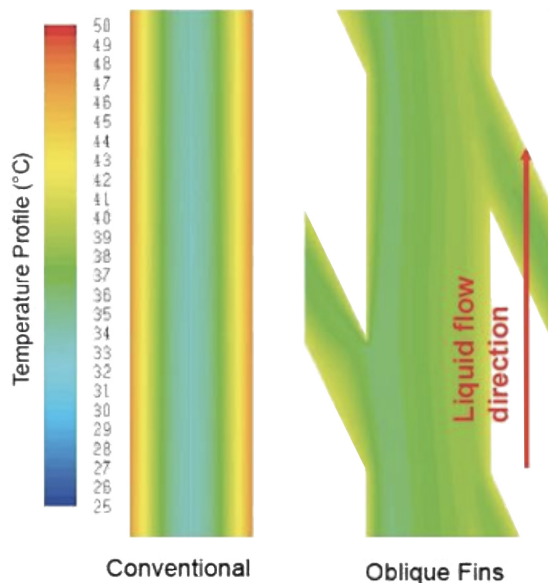


About the product

GCoreLab's IGBT cold plate improves thermal performance significantly for your IGBT module through an advanced technique. Our patent pending Oblique Fin Technology offers unique fluid mixing and superior thermal performance at low-pressure drop penalties. In contrast, traditional fin technologies such as Pin or Lanced Offset Fins induce turbulent flow and incur a hefty pressure drop penalty. Our technology disrupts the thermal boundary layer and enhances fluid mixing which dramatically improves the cooling performance in our IGBT Oblique Fin Cold Plates.



PRODUCT NAME:

XtremeChill™

DESCRIPTION:

High Performance IGBT Oblique Fin Cold Plate for 162mm×122mm and 62mm×122mm modules

FEATURES:

- **Oblique Fin Technology:**
Patent pending technology to enhance and achieve the highest cooling performance
- **Direct distribution technology:**
Specially designed to ensure even distribution of flow with even temperature spread
- **Designed with CFD:**
To ensure the best cooling performance and lowest pressure drop penalty

CONTACT US AT:

GCORELAB USA

1021 S Orange Grove Blvd
Suite 108

Pasadena, CA 91105

(1) 626 394 9771

www.gcorelab.com

sales@gcorelab.com

SPECIFICATIONS:

Material: 3003 Al Alloy

Sealing: Vacuum Brazing

Ports: ¼ NPT

Weight: 915 grams

Surface Flatness:
0.025/25.4mm

Max. Pressure: 20 Bars

CUSTOM OPTIONS:

Fitting Type

Light Weight

Double Sided Cooling

Chromating

Copper Material

Other Aluminium Alloys

MOUNTING OPTIONS:

162mm×122mm modules

1x Semikron SEMiX® 33

1x Infineon EconoPACK™

1x PowerEX Intellimod

1x Fuji Semicon M629

62mm×122mm modules

2x Semikron SEMiX® 3

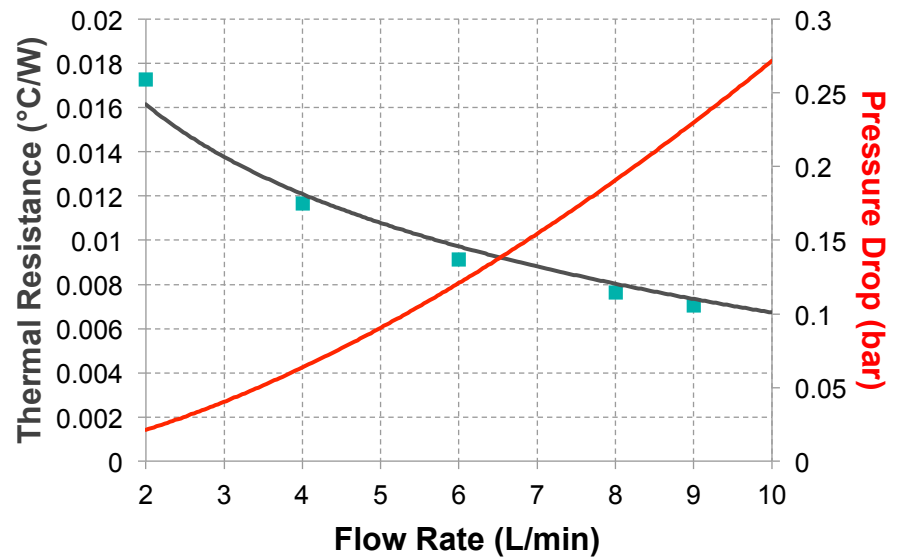
2x Infineon EconoDUAL™ 3

2x PowerEX NX-M

and others...

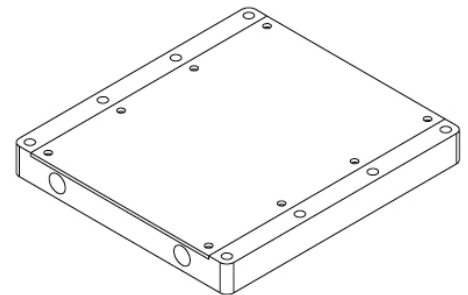
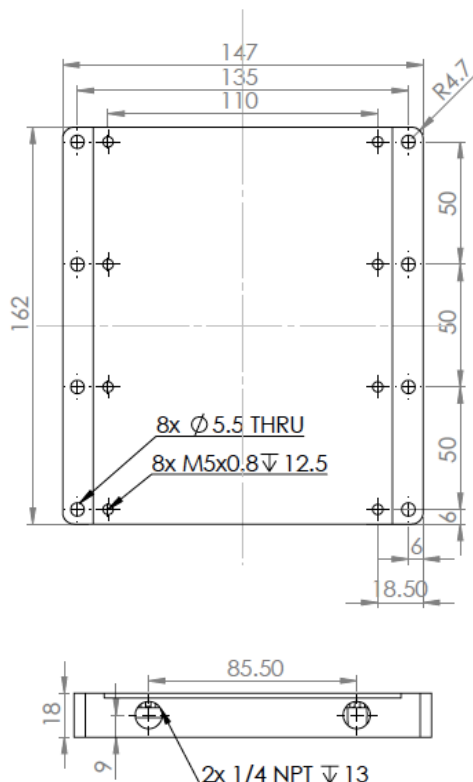
PERFORMANCE CHART

The XtremeChill™ allows you to bring out the best performance of your power modules.



*Experimentally validated with 50:50 EGW, pressure drop is from inlet to outlet and includes 2x ¼" NPT hose barb fitting

DRAWINGS



*all dimensions are in mm unless otherwise stated